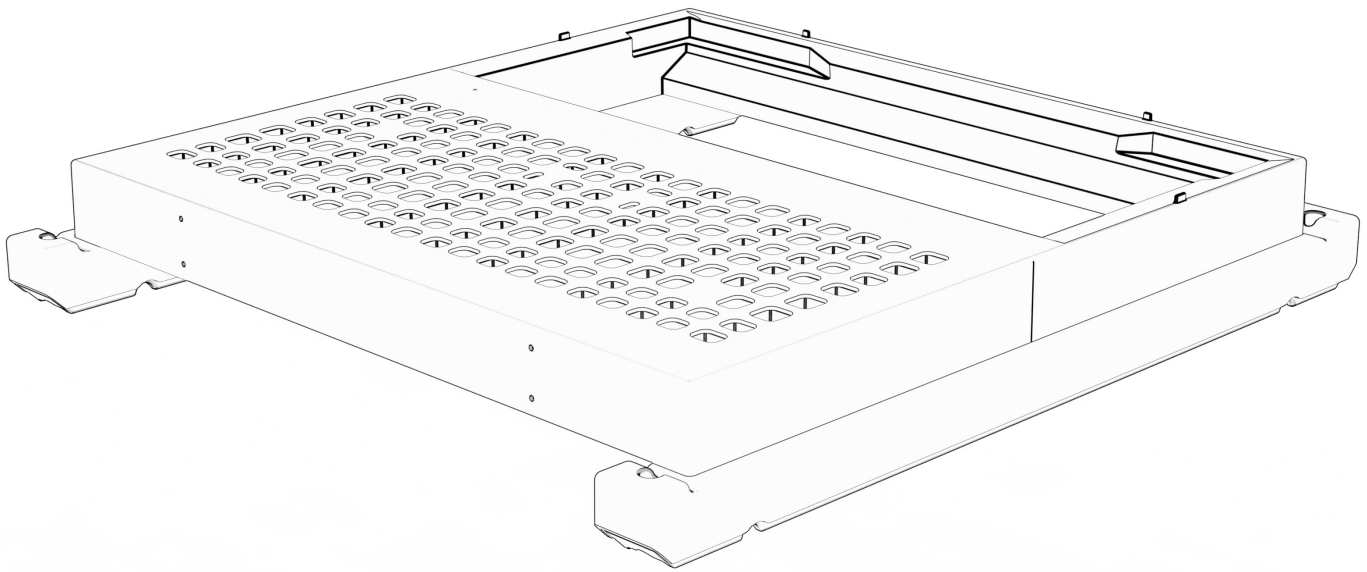
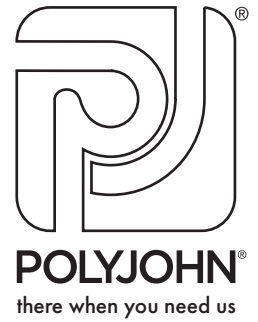


# GRATED SKID

## PRODUCT INSTRUCTIONS

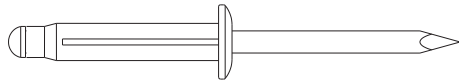


The SF1-1000 Grated Skid is made to be used with the PJN3/PJP4 units. It has many valuable features including:

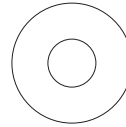
- Slotted floor for easier cleaning and improved venting.
- Excellent part stackability for better space utilization for shipping.
- Replaceable runners.
- Replaceable runner covers (wear plates).
- Stake down holes in the ends of the runners.
- Notches on runner ends for easier unloading off of trailers.
- Optional Floor Cover

We recommend reading through the entire information booklet prior to proceeding with installation, service and maintenance. All references to left and right throughout the booklet are as viewed from the front of the restroom.

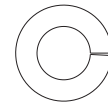
# FULL SIZE SCALE FASTENERS



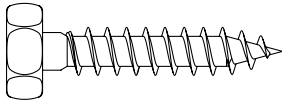
(5) PC-000105 Rivet  
For Optional Floor Cover



(10) PC-000123  
1/4" Flat Washer



(10) PC-000169  
1/4" Lock Washer



(4) PC-100161  
1/4" x 1-1/2"  
Lag Screw

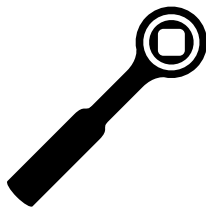


(6) PC-100160  
1/4-20 x 3-3/4"  
Hex Head Bolt

# TOOLS REQUIRED



7/16" Socket



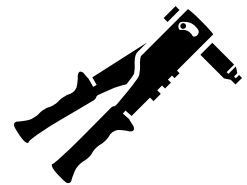
In/Lb Torque Wrench



Tape Measure  
(For Optional  
Floor Cover)



Drill with  
13/64" Drill Bit  
(For Optional  
Floor Cover)



Rivet Gun  
(For Optional  
Floor Cover)

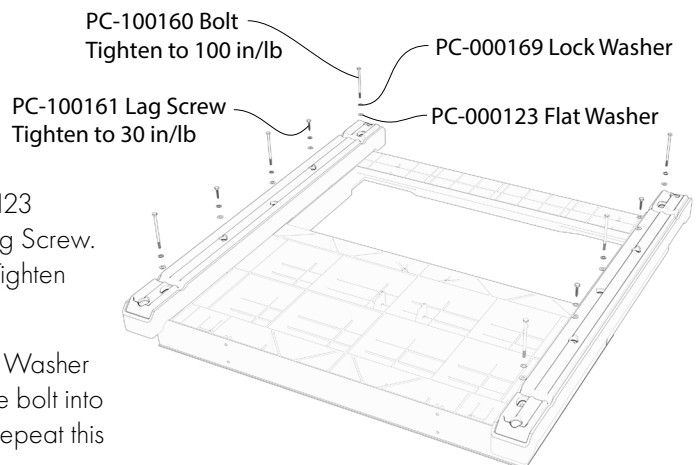
# INSTALLATION INSTRUCTIONS

**Step 1** Place the base upside down on flat surface.

**Step 2** Place the runners and runner covers in the base as shown to the right. The sides of the runners should overhang the sides of the base by 1-1/2"

**Step 3** Secure the runner cover to the runner by placing a PC-000123 Flat Washer and a PC-000169 Lock washer onto the PC-100161 Lag Screw. Fasten the lag bolt into the holes as shown in the figure to the right. Tighten to 30 in/lbs. Repeat this for the remaining 3 holes.

**Step 4** Secure the runner to the base by placing a PC-000123 Flat Washer and a PC-000169 Lock washer onto the PC-100160 Bolt. Fasten the bolt into the holes as shown in the figure to the right. Tighten to 100 in/lbs. Repeat this for the remaining 5 holes.



# INSTALLATION INSTRUCTIONS

GRATED SKID

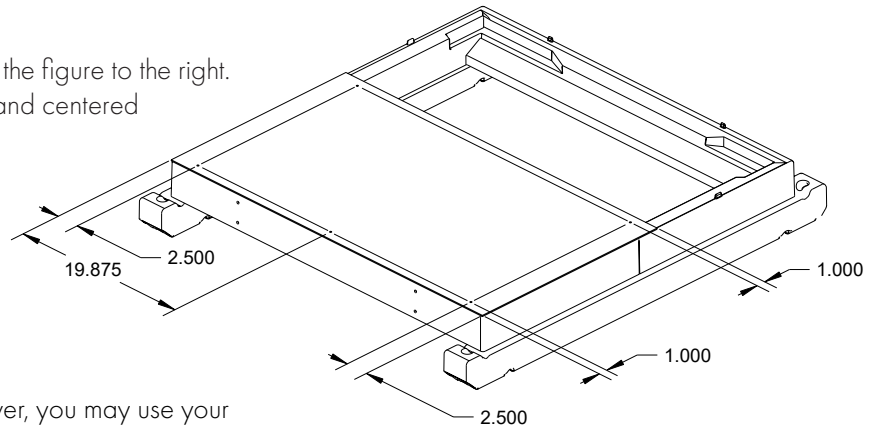
## Optional Floor Cover Installation

**Step 1** Place floor cover on top of base as shown in the figure to the right. Make sure the floor is flush with the front of the base and centered width wise.

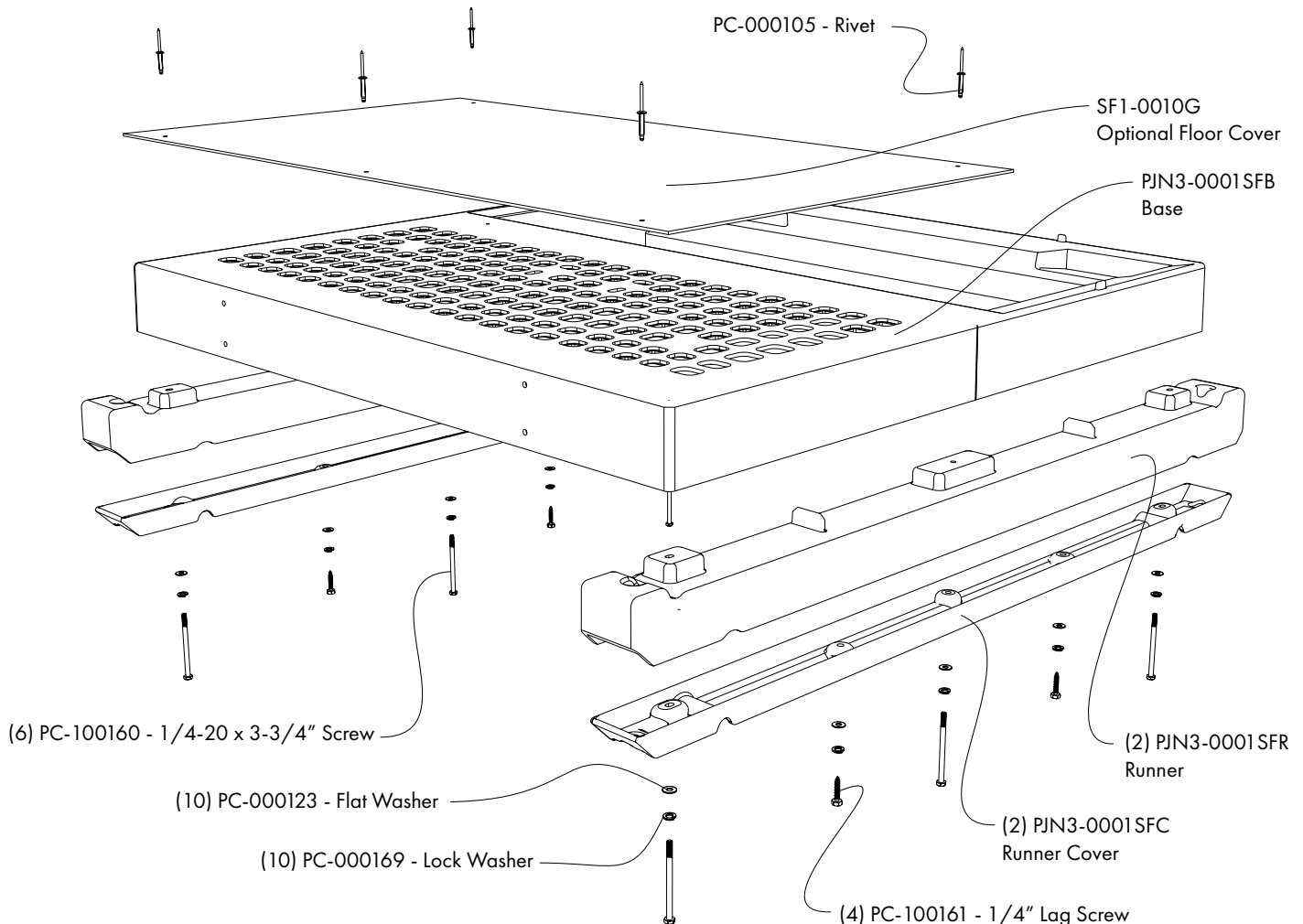
**Step 2** Using the dimensions shown, drill 5 holes through the floor cover and top wall of the base using a drill with a 13/64" drill bit.

**Step 3** Secure the floor cover in place using (5) PC-000105 rivets.

**Pro Tip:** If you are installing more than one floor cover, you may use your first floor cover as a template for the remainder of the bases/floor covers that have to be assembled before fastening to the base.



## EXPLODED VIEW PARTS DIAGRAM



# OUR MISSION STATEMENT

GRATED SKID

“PolyJohn is a family owned, state of the art, plastics manufacturing company dedicated to providing its employees with a work environment committed to excellence, and its customers with innovative products, services and technology that meet or exceed their requirements.”

THANK YOU FOR PURCHASING POLYJOHN PRODUCTS!



---

POLYJOHN USA  
+1 800-292-1305  
Whiting, Indiana  
[www.polyjohn.com](http://www.polyjohn.com)

POLYJOHN INTERNATIONAL  
UNITED KINGDOM  
+44 (0) 1937-583333  
Yorkshire, England  
[www.polyjohn.co.uk](http://www.polyjohn.co.uk)

POLYJOHN INTERNATIONAL  
CZECH REPUBLIC  
+420 608 876 983  
Karlovy Vary, Czech Republic  
[www.polyjohn.eu](http://www.polyjohn.eu)

POLYJOHN SOUTHERN AFRICA  
+27 (011) 615-3804  
Johannesburg, South Africa  
[www.polyjohn.co.za](http://www.polyjohn.co.za)

POLYJOHN CANADA  
+1 800-465-9590  
Oro Medonte, Ontario  
[www.polyjohn.ca](http://www.polyjohn.ca)  
[www.fr.polyjohn.ca](http://www.fr.polyjohn.ca)

POLYJOHN LATIN AMERICA  
+01 800-953-1307  
Chihuahua, Mexico  
[www.polyjohn.mx](http://www.polyjohn.mx)

POLYJOHN AUSTRALIA  
+61 7 3277 5727  
Brisbane, Australia  
[www.totalsanitationsolutions.com.au](http://www.totalsanitationsolutions.com.au)

POLYJOHN NEW ZEALAND  
+64 (0)22 387 7142  
Auckland, New Zealand  
[www.polyjohn.co.nz](http://www.polyjohn.co.nz)

POLYJOHN SOUTH AMERICA  
+57 318 696 7744  
Bogotá, Colombia  
[www.polyjohn.com](http://www.polyjohn.com)